

IN-Trac Cable Management System

SRA100H/SRA133HL



Smart Cable Management

■ Spot welding cables and utility lines are routed through the hollow forearm and wrist for protection, ensuring long life. No surprises from swinging dress cables not modeled in simulation. Minimize interferences, much better than external dress solutions.

World's Fastest Robot

■ The best motion control in the class makes cycle times unbeatable. Light weight, highly rigid design robot for high acceleration with minimum vibration. The high speed of all axes provide minimized movement times. Dramatically improves manufacturing productivity.

SRA100H/SRA133HL

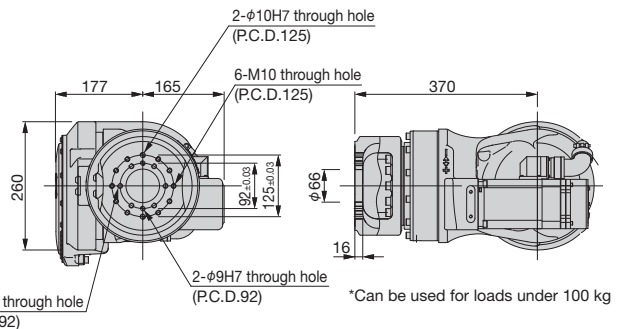
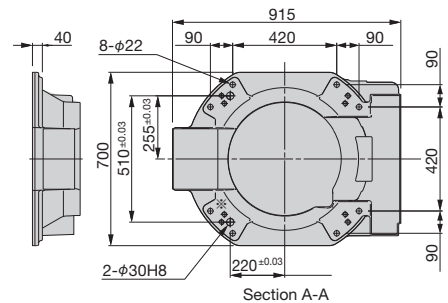
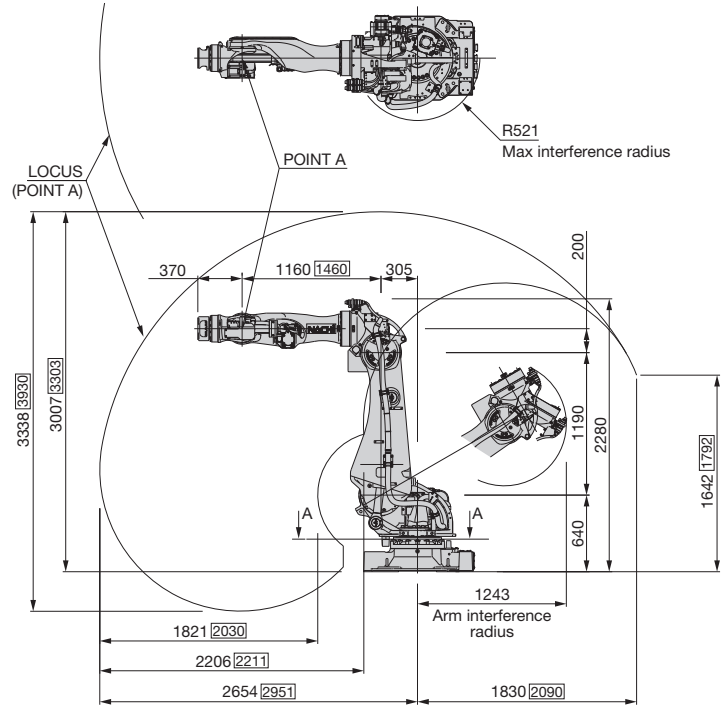
Robot specifications

| Item | Specifications | |
|------------------------------------|--|---|
| Robot model | SRA100H-01 | SRA133HL-01 |
| Structure | Articulated construction | |
| Number of axes | 6 | |
| Drive system | AC servo system | |
| Max. working envelope | J1 | $\pm 3.14\text{rad}$ ($\pm 180^\circ$) |
| | J2 | $-1.40 \sim +1.05\text{rad}$ ($-80^\circ \sim +60^\circ$) |
| | J3 | $-2.56 \sim +2.62\text{rad}$ ($-146.5^\circ \sim +150^\circ$) |
| | J4 | $\pm 3.66\text{rad}$ ($\pm 210^\circ$) |
| | J5 | $\pm 2.18\text{rad}$ ($\pm 125^\circ$) |
| | J6 | $\pm 3.66\text{rad}$ ($\pm 210^\circ$) |
| Max. speed | J1 | 2.18 rad/s (125°/s) |
| | J2 | 2.00 rad/s (115°/s) |
| | J3 | 2.11 rad/s (121°/s) |
| | J4 | 3.66 rad/s (210°/s) |
| | J5 | 3.05 rad/s (175°/s) |
| | J6 | 5.41 rad/s (310°/s) |
| Payload | Wrist | 100 kg |
| | Forearm*1 | 20 kg |
| Allowable static load torque | J4 | 830 N·m |
| | J5 | 830 N·m |
| | J6 | 441 N·m |
| Max. allowable moment of inertia*2 | J4 | 85.0 kg·m ² |
| | J5 | 85.0 kg·m ² |
| | J6 | 45.0 kg·m ² |
| Max. reach | 2,654 mm | 2,951 mm |
| Position repeatability*3 | $\pm 0.1\text{mm}$ | $\pm 0.15\text{mm}$ |
| Installation | Floor mount | |
| Ambient conditions | Temperature: 0~45°C*4 Humidity: 20~85%RH (No dew condensation allowed) Vibration at the installation surface: Not more than 0.5G (4.9 m/s ²) | |
| Weight | 1,040 kg | 1,070 kg |

Exterior dimensions and working envelope

SRA100H-01/SRA133HL-01

*Data shown in for SRA133HL-01.



1[rad] = 180/π[°], 1[N·m] = 1/9.8[kgf·m]

*On controller display, axis 1 to 6 is displayed as J1 to J6 for each.

*The specification and externals described in this specifications might change without a previous notice for the improvement.

*Explosion proof is not available.

*1: Load specification of number 1 arm varies according to wrist load conditions and installation position.

*2: Note that the allowable moment of inertia of wrist varies with the wrist load conditions.

*3: JIS B 8432 compliant.

*4: Permitted height is not higher than 1,000m above sea level. If used in higher place, permitted temperature is affected by height.

● The specifications are subject to changes without notice.

● In case that an end user uses this product for military purpose or production of weapon, this product may be liable for the subject of export restriction stipulated in the Foreign Exchange and Foreign Trade Control Law. Please go through careful investigation and necessary formalities for export.

NACHI

NACHI-FUJIKOSHI CORP. www.nachi-fujikoshi.co.jp

Tokyo Head Office
Shiodome Sumitomo Bldg, 17F 1-9-2 Higashi-shinbashi, Minato-ku, Tokyo 105-0021, JAPAN
Tel: +81-(0)3-5568-5245 Fax: +81-(0)3-5568-5236

Toyama Head Office
1-1-1 Fujikoshi-Honmachi, Toyama 930-8511, JAPAN
Tel: +81-(0)76-423-5111 Fax: +81-(0)76-493-5211

NACHI ROBOTIC SYSTEMS INC. USA www.nachirobotics.com
42775 W Nine Mile Road, Novi, Michigan 48375 USA Tel: 1-248-305-6545 Fax: 1-248-305-6542

NACHI BRAZIL LTDA. SAO PAULO BRANCH
Av. Paulista, 453, Primeiro Andar, Conj. 11, 12, 12 e 14, Cerqueira Cesar, Sao Paulo-SP, CEP: 01311-000, BRAZIL Tel: +55-11-3284-9844 Fax: +55-11-3284-1751

NACHI EUROPE (GERMANY) GmbH
Bischofstrasse 99, 47809, Krefeld, GERMANY Tel: +49-(0)2151-65046-0 Fax: +49-(0)2151-65046-90

NACHI TECHNOLOGY (THAILAND) CO., LTD. BANGKOK SALES OFFICE
Unit 23/109(A), Fl.24th Sorachai Bldg., 23 Sukhumvit 63 Road(Ekamai), Klongtonnua, Wattana, Bangkok 10110, THAILAND Tel: +66-2-714-0008 Fax: +66-2-714-0740

PT.NACHI INDONESIA
JI.H.R.Rasuna Said Kav.X-O Kuningan, Jakarta 12950, INDONESIA Tel: +62-021-527-2841 Fax: +62-021-527-3029

CATALOG NO. **R7204E**

2013.11.V-ABE-ABE