

Super heavy loader robot

MC1000DL

Tool cables and hoses routed inside the hollow arm provides excellent life.



The MC1000DL is specifically designed for heavy and repetitive lifting tasks up to 1000Kg capacity.

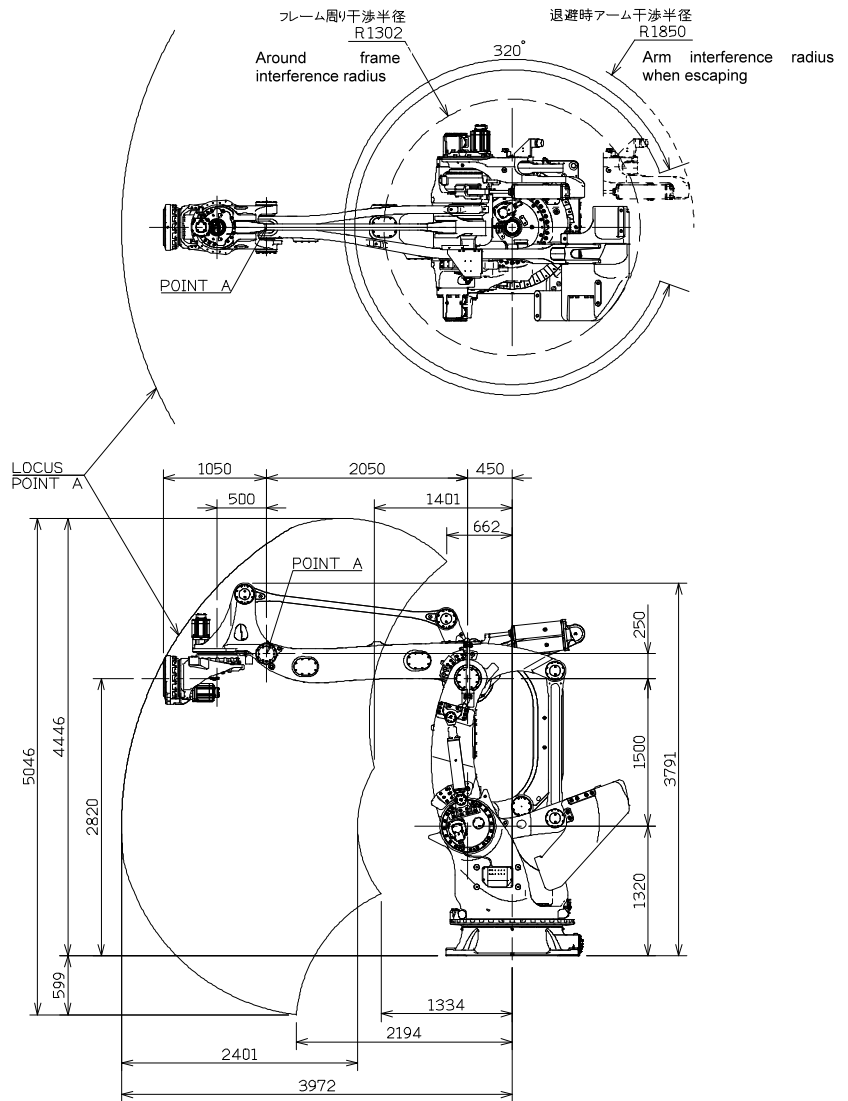
Provides an impressive work envelope to perform work on several products or machines simultaneously.

- Number of controlled axes 6 axes
- Payload 1,000kg
- Maximum reach 3,972mm

List of basic specifications

Item	Specifications	
Robot Type	MC1000DL	
Structure	Articulated	
Axis	6	
Drive System	AC servo motor	
Maximum motion range	Axis 1	± 2.79 rad ($\pm 160^\circ$)
	Axis 2	$-1.48 \sim +0.79$ rad ($-85^\circ \sim +45^\circ$)
	Axis 3	$-1.57 \sim +0.79$ rad ($-90^\circ \sim +45^\circ$)
	Axis 4 *1	Wrist payload is less than 300kg; $-0.17 \sim +1.57$ rad ($-9.7^\circ \sim +90^\circ$)
		Wrist payload is 300kg or more; $-0.17 \sim +0.17$ rad ($-9.7^\circ \sim +9.7^\circ$)
	Axis 5 *2	± 2.18 rad ($\pm 125^\circ$)
Axis 6	± 0.17 rad ($\pm 9.7^\circ$)	
Maximum Velocity	Axis 1	0.79 rad/s ($45^\circ/s$)
	Axis 2	0.70 rad/s ($40^\circ/s$)
	Axis 3	0.70 rad/s ($40^\circ/s$)
	Axis 4 *3	0.35 rad/s ($20^\circ/s$)
	Axis 5	1.13 rad/s ($65^\circ/s$)
	Axis 6 *4	1.22 rad/s ($70^\circ/s$)
Maximum pay load	Wrist	1000 kg
Maximum static load torque	Axis 4	21000 N·m
	Axis 6	4410 N·m
Maximum moment of inertia *5	Axis 4	5200 kg·m ²
	Axis 5	4000 kg·m ²
	Axis 6	1740 kg·m ²
Position repeatability *6		± 0.3 mm
Mounting Condition		Floor
Ambient conditions	Temperature: 0 to 45 °C *7 Humidity: 20 to 85%RH (No dew, nor frost allowed) Vibration to the installation face: Not more than 0.5G (4.9 m/s ²)	
Noise *8		80 dB
Robot weight		9000 kg

Outline dimensions and Motion range



NACHI
ROBOTIC SYSTEMS INC.

www.nachirobotics.com

NACHI ROBOTIC SYSTEMS INC.
 NACHI AMERICA INC. HEADQUARTERS
 NACHI CANADA INC.
 NACHI MEXICANA, S.A. DE C.V.
 NACHI BRASIL LTDA.
 NACHI EUROPE GmbH
 NACHI TECHNOLOGY (THAILAND) CO., LTD.
 NACHI SINGAPORE PTE. LTD.
 PT.NACHI INDONESIA
 NACHI TECHNOLOGY INDIA PVT. LTD.
 NACHI-FUJIKOSHI (CHINA) CO., LTD.

Michigan, U.S.A.
 Indiana, U.S.A.
 CANADA
 MEXICO
 BRASIL
 GERMANY
 THAILAND
 SINGAPORE
 INDONESIA
 INDIA
 CHINA

Tel: +1-248-305-6545
 Tel: +1-317-530-1001
 Tel: +1-905-660-0088
 Tel: +52-442-153-2424
 Tel: +55-11-4793-8800
 Tel: +49-(0)2151-65046-0
 Tel: +66(38)961679
 Tel: +65-65587393
 Tel: +62-21-527-2841
 Tel: +91-(0)14-9467-1300
 Tel: +86-(0)21-6915-2200

Fax: +1-248-305-6542
 Fax: +1-317-530-1011
 Fax: +1-905-660-1146
 Fax: +52-442-153-2435
 Fax: +55-11-4793-8870
 Fax: +49-(0)2151-65046-90
 Fax: +66(38)961683
 Fax: +65-65587371
 Fax: +62-21-527-3029
 Fax: +91-(0)14-9467-1310
 Fax: +86-(0)21-6915-5427

<http://www.nachirobotics.com>
<http://www.nachiamerica.com/>
<http://www.nachicanada.com/>
<http://www.nachi.com.mx/>
<http://www.nachi.com.br/>
<http://www.nachi.de/>
<http://www.nachi.co.th/>
<http://www.nachinip.com.sg/>
<http://www.nachi.co.id/>
<https://www.nachi.com.cn/>

●The specifications are subject to changes without notice.

●In case that an end user uses this product for military purpose or production of weapon, this product may be liable for the subject of export restriction stipulated in the Foreign Exchange and Foreign Trade Act. Please go through careful investigation and necessary formalities for export.