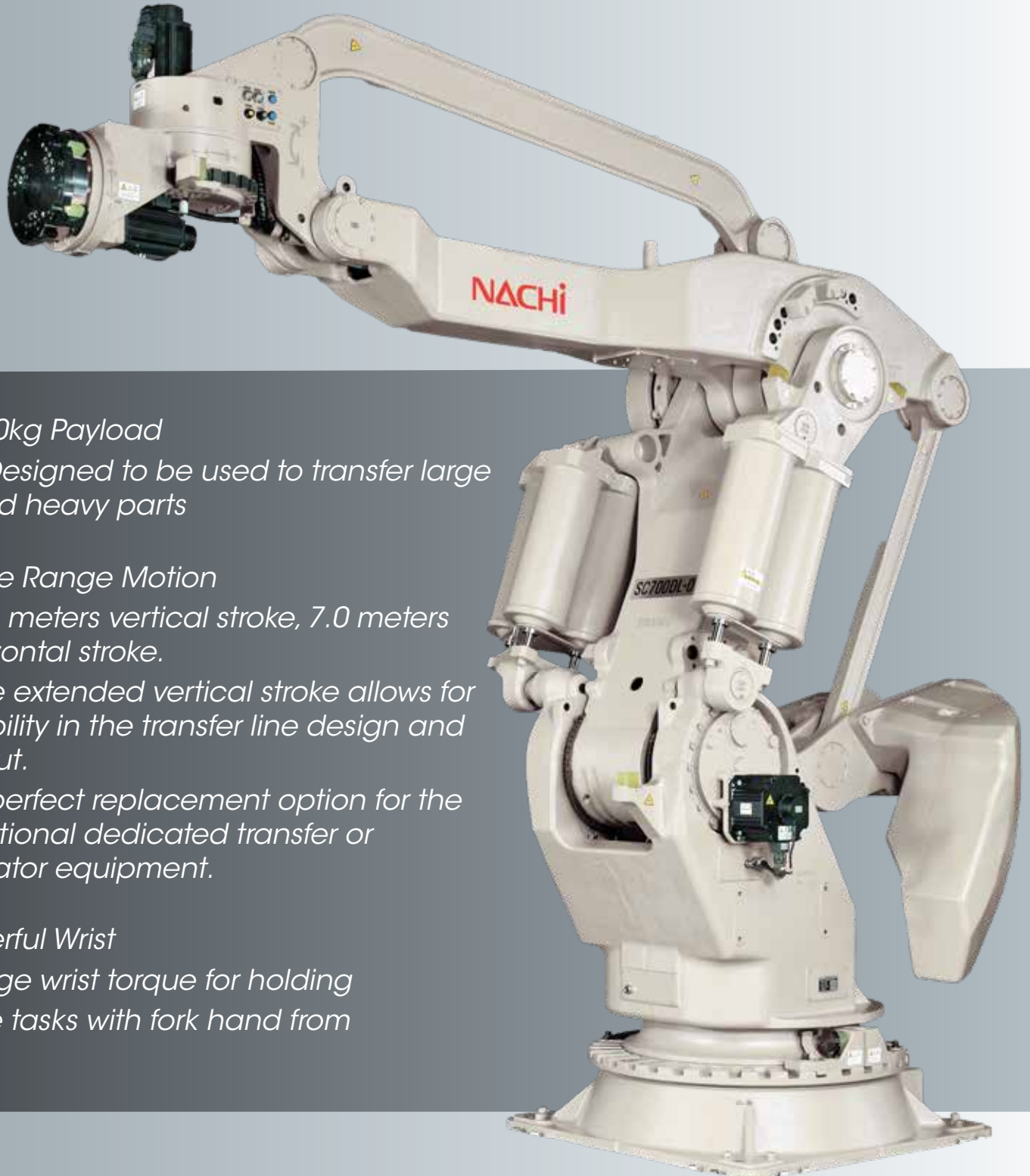


Super heavy loader robot

# ***SC700DL***

Handling Robot with top rated loading capacity



## *700kg Payload*

- *Designed to be used to transfer large and heavy parts*

## *Large Range Motion*

- *4.8 meters vertical stroke, 7.0 meters horizontal stroke.*
- *The extended vertical stroke allows for flexibility in the transfer line design and layout.*
- *A perfect replacement option for the traditional dedicated transfer or elevator equipment.*

## *Powerful Wrist*

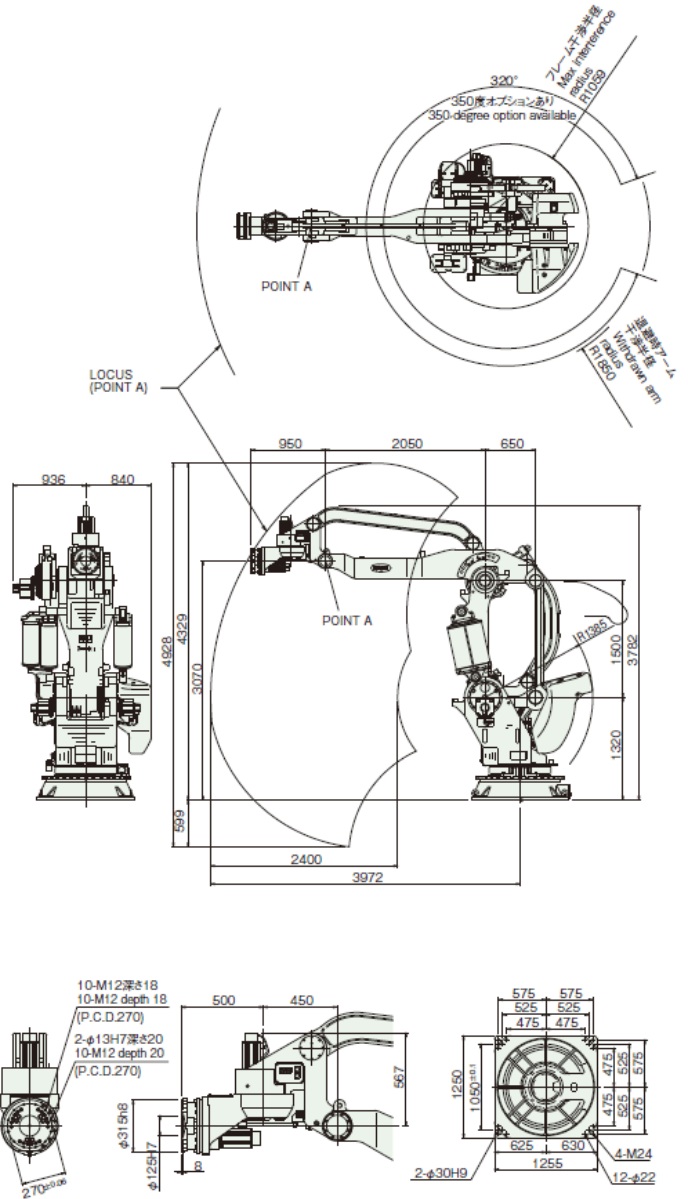
- *Large wrist torque for holding large tasks with fork hand from side.*

## List of basic specifications

Robot Type		SC700		
Structure		Articulated		
Axis		6		
Drive System		AC servo motor		
Maximum motion range	Arm	J1	Swivel	+/-2.79rad
		J2	Forward/backward	+1.48 to -0.79rad
		J3	Upward/downward	+0.70 to -1.57rad
	Wrist		Rotation2	+1.57 to -0.17rad
			Bending	+/-2.18rad
			Rotation1	+/-0.17rad
Max. speed	Arm	J1	Swivel	0.79rad/s
		J2	Forward/backward	0.52rad/s
		J3	Upward/downward	0.52rad/s
	Wrist	J4	Rotation2	0.52rad/s
		J5	Bending	0.87rad/s
		J6	Rotation1	0.52rad/s
payload		700 kg		
	J4	Rotation2	13800N-m	
	J5	Bending	3920N-m	
	J6	Rotation1	2940N-m	
	J4	Rotation2	3000kg-m <sup>2</sup>	
	J5	Bending	1800kg-m <sup>2</sup>	
	J6	Rotation1	1000kg-m <sup>2</sup>	
Position repeat accuracy		+/-0.5mm		
Ambient temperature		0 to 45°C		
Installation parameters		Floor mounted		
Robot mass		7000kg		

1rad=57.3° 1N=0.102kgf

## Operating Envelope



**NACHI**  
ROBOTIC SYSTEMS INC.

[www.nachirobotics.com](http://www.nachirobotics.com)

NACHI ROBOTIC SYSTEMS INC.  
NACHI AMERICA INC. HEADQUARTERS  
NACHI CANADA INC.  
NACHI MEXICANA, S.A. DE C.V.  
NACHI BRASIL LTDA.  
NACHI EUROPE GmbH  
NACHI TECHNOLOGY (THAILAND) CO., LTD.  
NACHI SINGAPORE PTE. LTD.  
PT.NACHI INDONESIA  
NACHI TECHNOLOGY INDIA PVT. LTD.  
NACHI-FUJIKOSHI (CHINA) CO., LTD.

Michigan, U.S.A.  
Indiana, U.S.A.  
CANADA  
MEXICO  
BRASIL  
GERMANY  
THAILAND  
SINGAPORE  
INDONESIA  
INDIA  
CHINA

Tel: +1-248-305-6545  
Tel: +1-317-530-1001  
Tel: +1-905-660-0088  
Tel: +52-442-153-2424  
Tel: +55-11-4793-8800  
Tel: +49-(0)2151-65046-0  
Tel: +66(38)961679  
Tel: +65-65587393  
Tel: +62-21-527-2841  
Tel: +91-(0)14-9467-1300  
Tel: +86-(0)21-6915-2200

Fax: +1-248-305-6542  
Fax: +1-317-530-1011  
Fax: +1-905-660-1146  
Fax: +52-442-153-2435  
Fax: +55-11-4793-8870  
Fax: +49-(0)2151-65046-90  
Fax: +66(38)961683  
Fax: +65-65587371  
Fax: +62-21-527-3029  
Fax: +91-(0)14-9467-1310  
Fax: +86-(0)21-6915-5427

<http://www.nachirobotics.com>  
<http://www.nachiamerica.com/>  
<http://www.nachicanada.com/>  
<http://www.nachi.com.mx/>  
<http://www.nachi.com.br/>  
<http://www.nachi.de/>  
<http://www.nachi.co.th/>  
<http://www.nachinjp.com.sg/>  
<http://www.nachi.co.id/>  
<https://www.nachi.com.cn/>

●The specifications are subject to changes without notice.  
●In case that an end user uses this product for military purpose or production of weapon, this product may be liable for the subject of export restriction stipulated in the Foreign Exchange and Foreign Trade Act. Please go through careful investigation and necessary formalities for export.